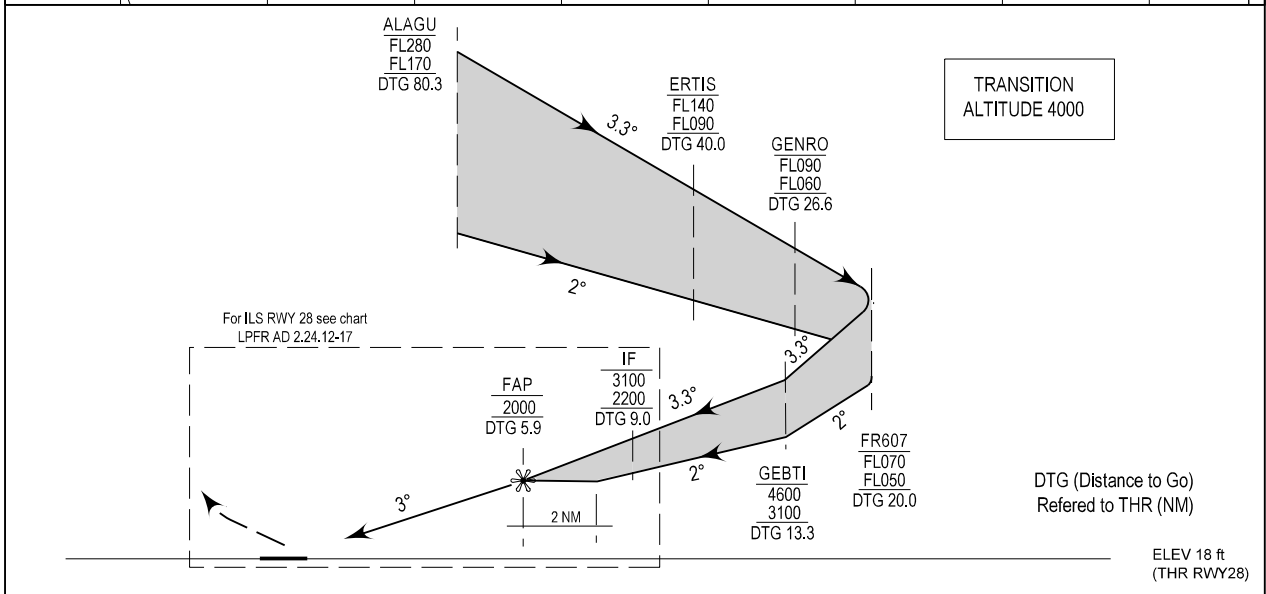
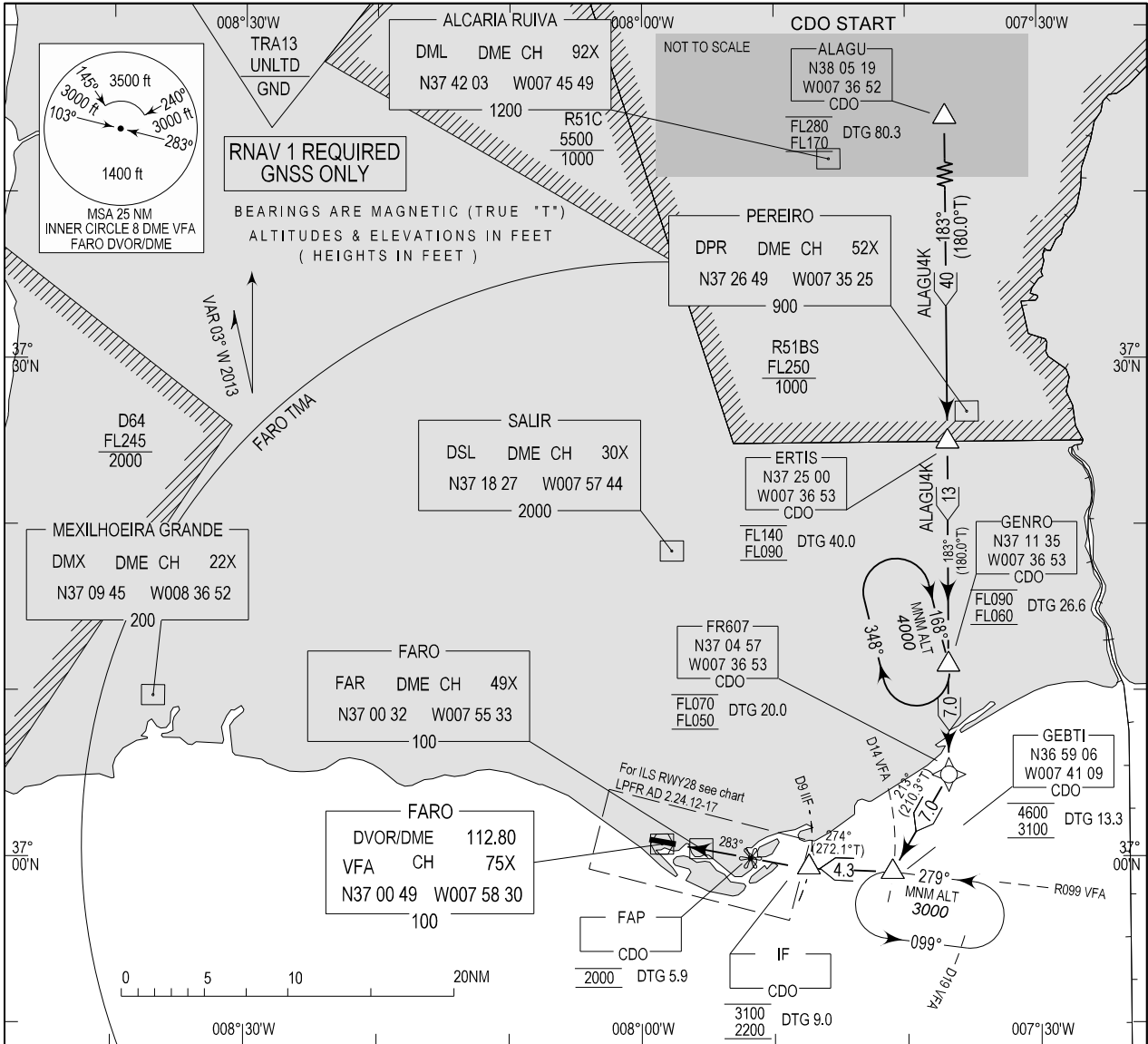


STANDARD ARRIVAL CHART - INSTRUMENT (STAR)

TRANSITION ALTITUDE 4000

TWR 120.750  
APP 119.400  
ACC 122.550

FARO (LPFR)  
RNAV CDO RWY 28  
ALAGU 4K



STAR changed.

STANDARD INSTRUMENT ARRIVAL (STAR) CDO RUNWAY 28										
RNAV 1 – GNSS ONLY										
STAR RNAV 1 CDO ALAGU 4K RWY28										
Path Terminator	Waypoint			Course/ Track MAG (True)	Dist NM	Turn Direction	Constraints		Navigation Specification	Remarks
	Identifier	Flyover	Coordinates				Level	Speed		
IF	ALAGU	-	380519.34N 0073652.27W	-	-	-	FL280 <u>FL170</u>	-	RNAV 1	Clearance limit: GEBTI. CDO start: ALAGU (Pending on military traffic conditions).
TF	ERTIS	-	372500.00N 0073653.01W	183 (180.0)	40.28	-	FL140 <u>FL090</u>	-	RNAV 1	
TF	GENRO	-	371134.51N 0073653.27W	183 (180.0)	13.41	-	FL090 <u>FL060</u>	-	RNAV 1	
TF	FR607	-	370457.31N 0073653.37W	183 (180.0)	6.61	-	FL070 <u>FL050</u>	-	RNAV 1	
TF	GEBTI	-	365905.99N 0074109.25W	213 (210.3)	6.77	Right	A4600 <u>A3100</u>	-	RNAV 1	