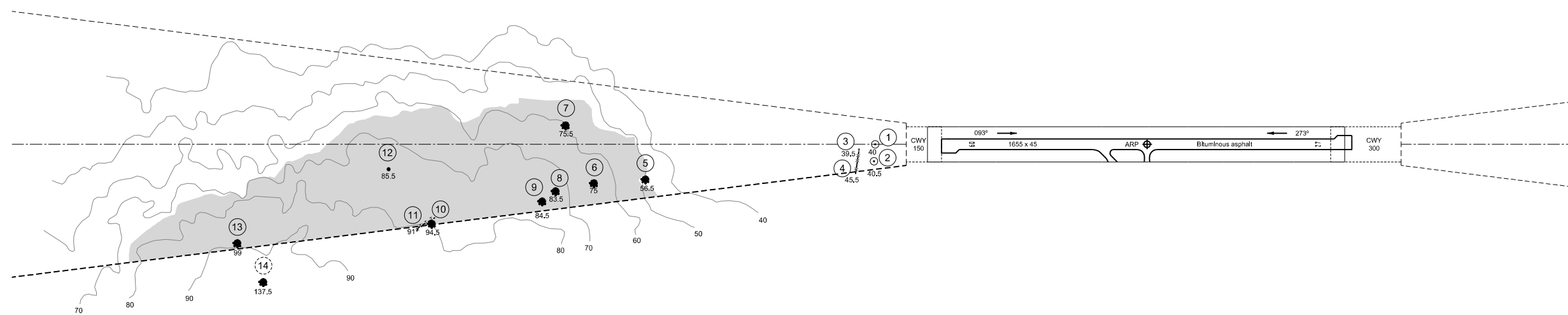
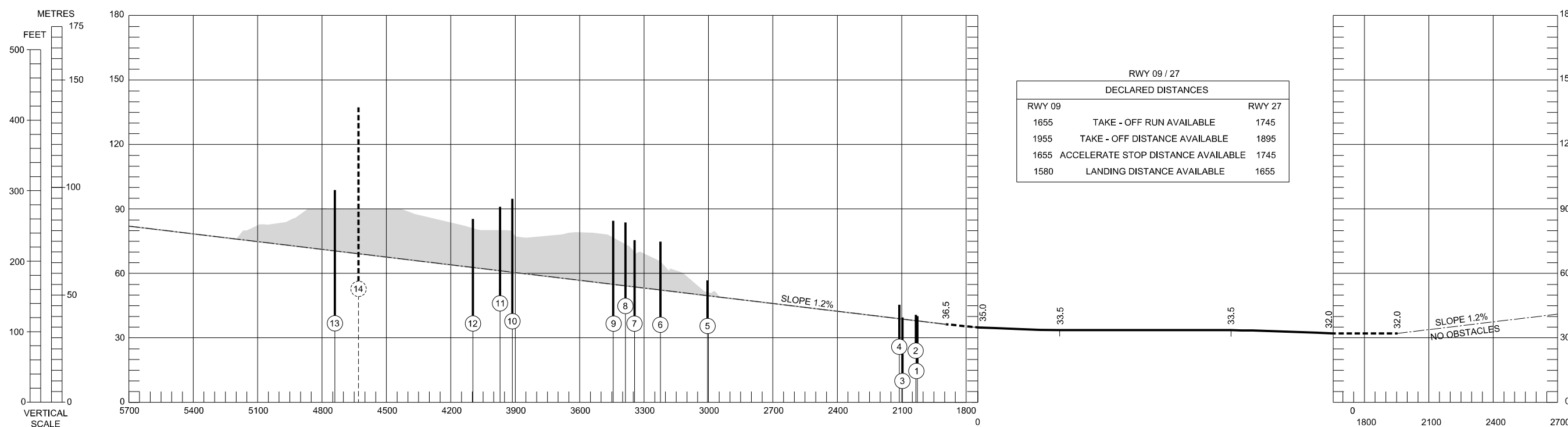


AERODROME OBSTACLE CHART - ICAO
TYPE A (OPERATING LIMITATIONS)

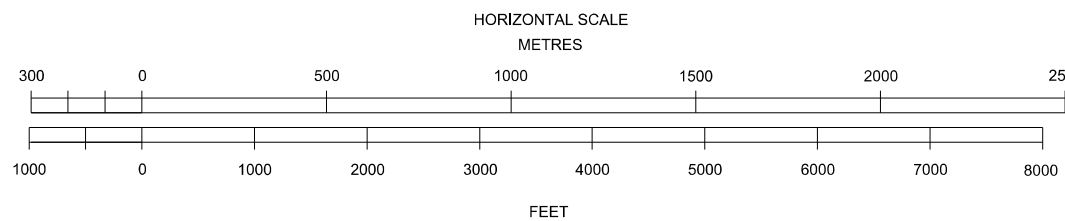
DIMENSIONS AND ELEVATIONS IN METRES

PICO (LPPI)

MAGNETIC VARIATION 10° W - 2013



LEGEND	
IDENTIFICATION NUMBER	①
POLE, TOWER, SPIRE, ANTENNA, ETC.	⊙
TREE OR SHRUB	●
TRANSMISSION LINE OR OVERHEAD CABLE	—•—•—•—
FENCE	—•—•—•—
NATURAL HIGH POINT	•
TERRAIN PENETRATING OBSTACLE PLANE	—



AMENDMENT RECORD		
Nº	DATE	ENTERED BY

Obstacles updated, CWY RWY 09 dimensions changed, TODA RWY 09 changed.